

Figure C2G

Transport Delay for simulation of Computer Controlled Aircraft using software emulation of helicopter boxes

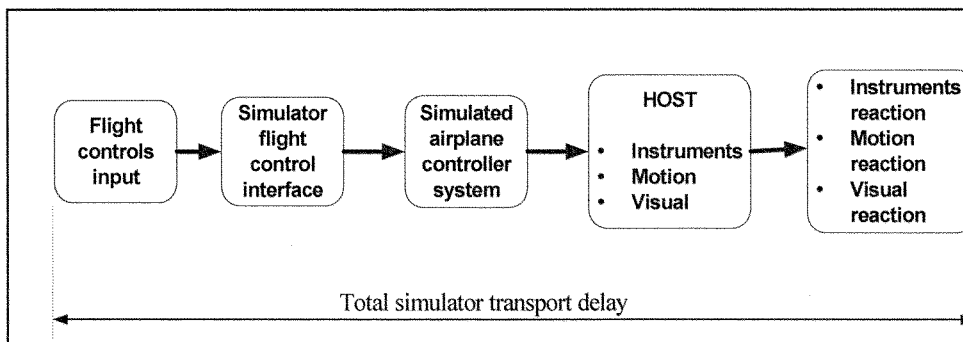


Figure C2HA and C2HB

Transport delay for simulation of helicopters using real or re-hosted instrument drivers

